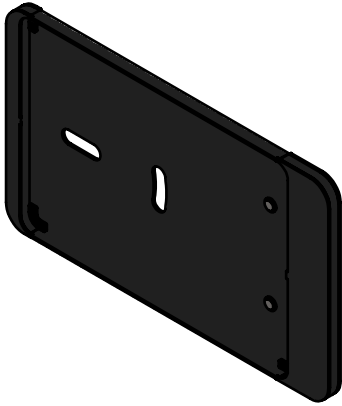


# INSTALLATION MANUAL

(Wall iPad holder)

## PACKAGE CONTENTS

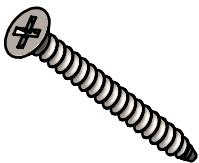
	Name of part	Number of pieces
1	Wall iPad holder	1
2	Dowel DuoPower 5mm x 25mm	2
3	Screw TN 3,5mm x 35mm	2
4	Pressure cap	2
5	Direct socket	1



1) Wall iPad holder



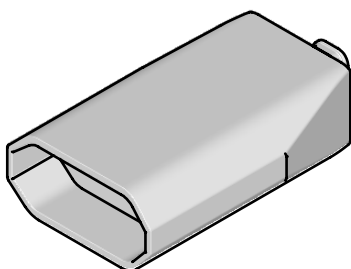
2) Dowel DuoPower 5mm x 25mm



3) Screw TN 3,5mm x 35mm



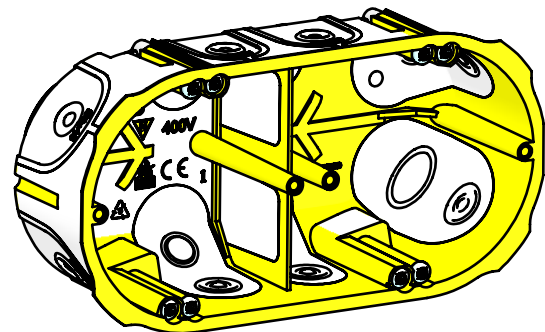
4) Pressure cap



5) Direct socket

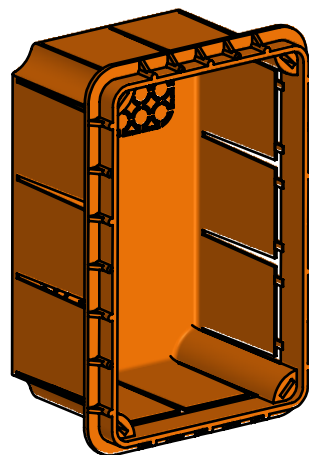
## RECOMMENDED INSTALATION BOXES

1) Plasterboards installation

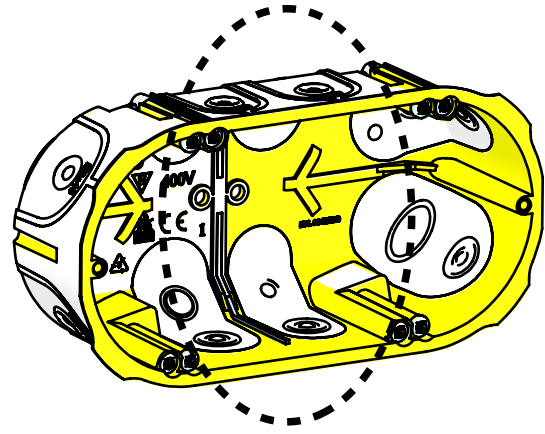
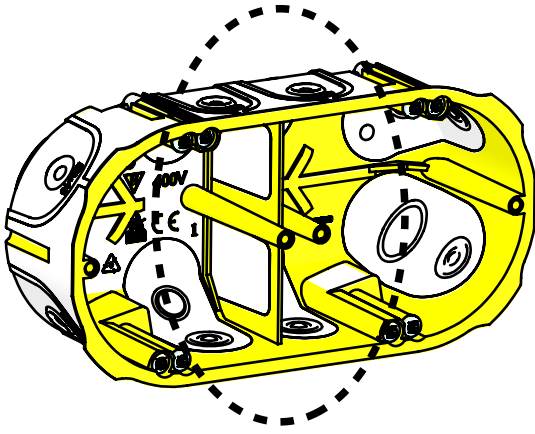


KOPOS KPL 64-50/2LD\_NA

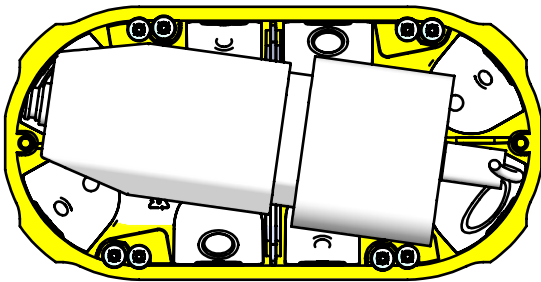
2) Concealed installation



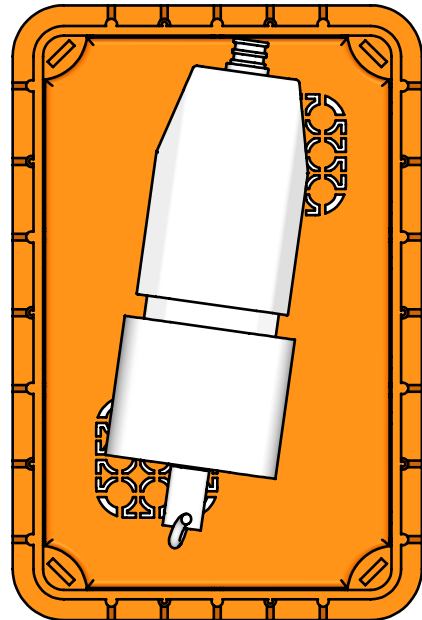
153x98x70 OL 10003



Installation boxes with a central partition need to be adjusted before installation.  
The center bulkhead and also the posts must be cut out to avoid collision with the direct socket (5) and the iPad adapter.



Storage method for the direct socket and adapter in the plasterboard installation box.

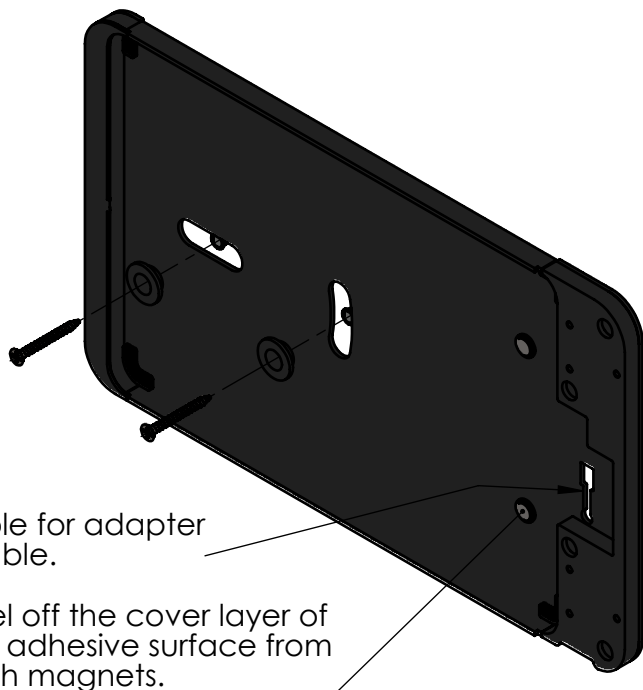
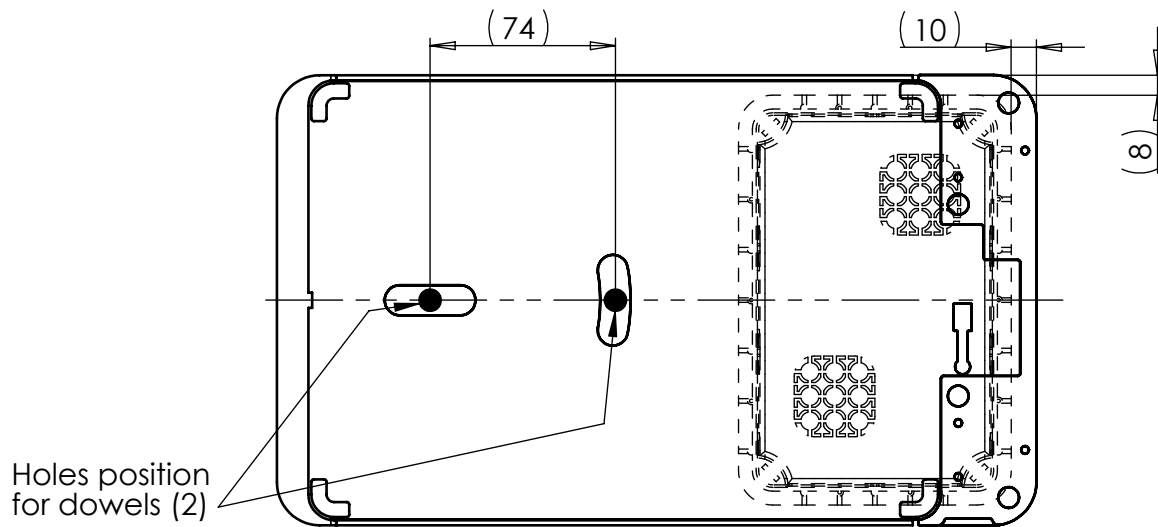
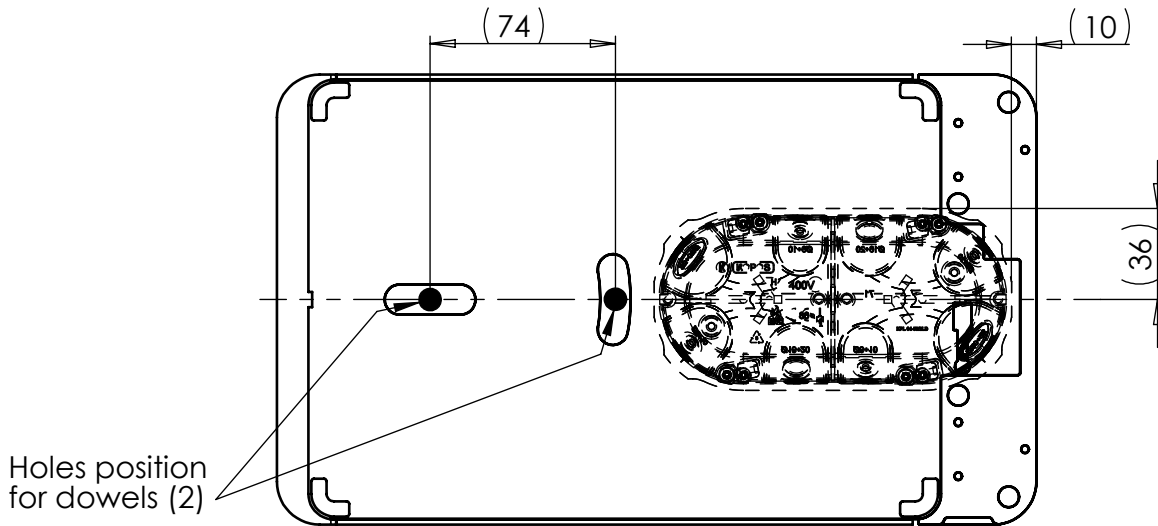


Storage method for the direct socket and adapter in the concealed installation box.



**As the body of the iPad holder is made of anodized aluminum, care must be taken to ensure that the live parts of the electrical installation DO NOT touch its construction under any circumstances. Installation of the direct socket must be carried out by an authorized person!**

The approximate position of the holder (1) relative to the installation boxes is shown in the following views. The holder must cover the entire space of the box. It is possible to use iPad holder as template for drilling holes for dowels(2).



Screw the iPad holder (1) with the screws(3) through the caps (4). The holes in the holder allow you to get the holder in the correct position. Using a spirit level, we get the holder into a horizontal position.

Insert the iPad into the holder and gently press so that the 3M tape on the magnets sticks to the iPad. We bring the front panel closer to the holder. Thanks to the magnets, the iPad is locked in the holder.